

VariCel[®] V (H) HT

HIGH TEMPERATURE MINI-PLEAT V-SHAPE FILTER

Features and Benefits

- ISO 16890: ePM10 and ePM1, previously rated as M6 and F7 according to EN 779:2012
- Designed for recirculation systems in drying lines
- Also available in 400 mm depth (vs standard 295 mm), resulting in reduced pressure drop and longer service life
- High temperature, high turbulence operation
- Robust, heat resistant materials
- Silicone free construction
- VariCel V HT: depth 295 mm and max. operating temperature 385 °C
- VariCel V H HT: depth 400 mm and max. operating temperature 250 °C

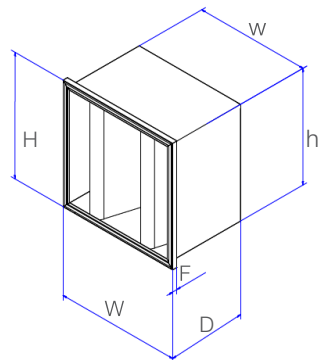
Applications

The VariCel V (H) HT filter is designed for use in the recirculation systems of drying ovens. This filter is made of sturdy materials to match high operating temperatures. To ensure a high integrity construction, headers and cell sides are mechanically interlocked. No adhesives, sealants or glues are used which could degrade at high temperatures, causing structural damage to the filter or affecting the quality of the drying process. Filter strength is further enhanced by faceguards on the air entering and leaving sides.



Configurations

| | |
|-----------------------------------|--|
| Filter media | Glass fibre |
| Pack design | Mini-pleat V-shape |
| Separators | Glass media ribbon |
| Gasket | Glass rope on either the air leaving side or air entering side |
| Faceguards | Stainless steel for VariCel V HT (depth D 295 mm), galvanized steel for VariCel V H HT (depth D 400 mm) |
| Cell sides | Aluminized steel for VariCel V HT (depth D 295 mm), galvanized steel for VariCel V H HT (depth D 400 mm) |
| Header | Extruded aluminium with provisions for gasket applications on both sides (header depth F: 20 or 25 mm) |
| Max. operating temperature | VariCel V HT (depth 295 mm): 385 °C, VariCel V H HT (depth 400 mm): 250 °C |
| Box dimensions | Filters with dimensions W = 592 mm and H = 592 mm have box dimensions w = 544 mm and h = 544 mm |

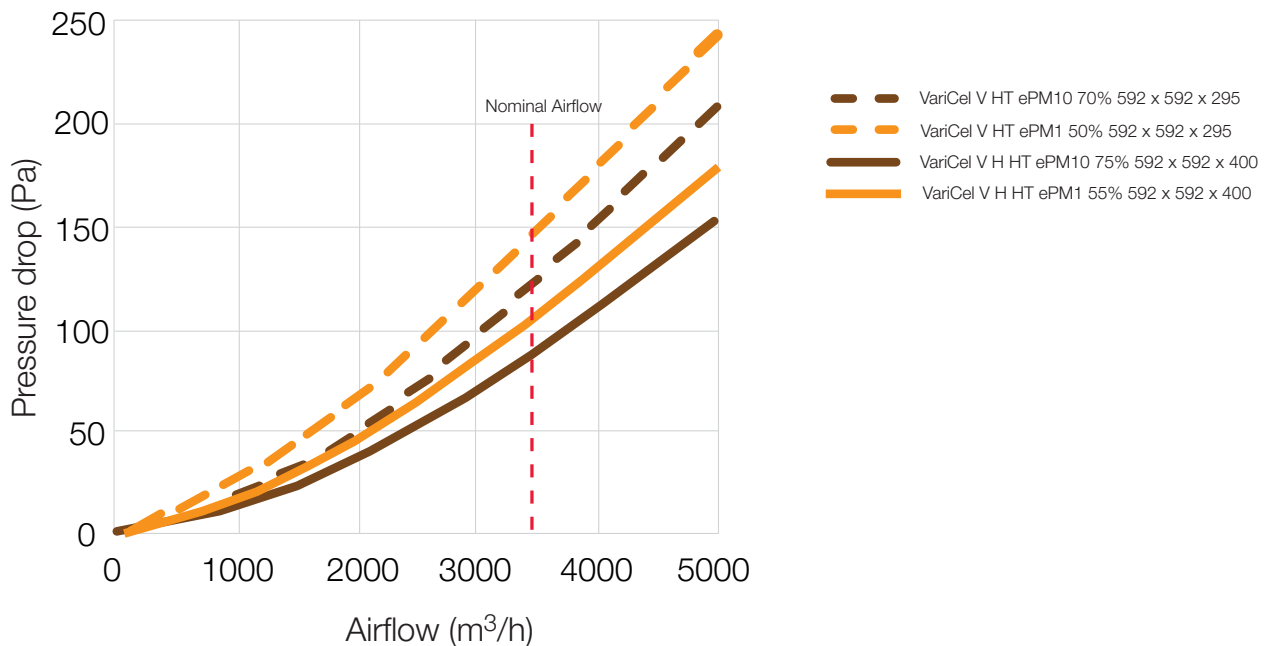


VariCel[®] V (H) HT

Technical data

| Filter name | Dimensions (mm) 592 x 592 x Depth | Filter area (m ²) | Number of V's | Initial dp (Pa) @ 3400 m ³ /h | Prev. rated EN779:2012 | Acc.to Eurovent 4/21:2018 | | ISO 16890 Classification | Average values | | |
|--------------------------|--------------------------------------|-------------------------------|---------------|---|---------------------------|------------------------------|------------------|-----------------------------|-------------------|------------|-----------|
| | | | | | | kWh | Energy Rating | | ePM1 (%) | ePM2,5 (%) | ePM10 (%) |
| VariCel V HT ePM10 70% | 295 | 9,6 | 2 | 120 | M6 | 1300 | E | ePM10 70% | 28 | 42 | 71 |
| VariCel V HT ePM1 50% | 295 | 9,6 | 2 | 135 | F7 | 1990 | D | ePM1 50% | 54 | 64 | 85 |
| VariCel V H HT ePM10 75% | 400 | 13 | 2 | 85 | M6 | 1150 | D | ePM10 75% | 33 | 44 | 77 |
| VariCel V H HT ePM1 55% | 400 | 13 | 2 | 100 | F7 | 1250 | C | ePM1 55% | 57 | 67 | 87 |

Performance VariCel V (H) HT



VariCel[®] is a registered trademark of AAF International in the U.S. and other countries.



Bringing clean air to life:

AAF International
European Headquarters
Odenwaldstrasse 4, 64646 Heppenheim
Tel: +49 (0)6252 69977-0
www.aafeurope.com

American Air Filter Company, Inc. has a policy of continuous product improvement. This document is provided for informal review and establishes no commitment or contract. We reserve the right to change any designs, specifications and products without notice, and we make no warranties regarding the subject matter of this document. Any use, copying or distribution of this document or any part of this document without our permission is prohibited.

©2021 AAF International and its affiliated companies.
HT_611_EN_062021